

PERI Plasto-Clean

Concrete release agent

Translation of the Original Instructions for Use – Issue 02/2018



Overview

Product description

PERI Plasto-Clean is

- a non-water miscible concrete release agent,
- hydrophilic; as a result, the surface tension is reduced and an excellent level of wetting is achieved. The release agent is very easily absorbed into the formlining,
- solvent-free,
- economical to use, therefore it is particularly cost-effective.

PERI Plasto-Clean does not discolour the concrete surface.

Typical characteristic values		
		Standard/Guideline
Physical state	liquid	
Colour	yellow	
Odour	characteristic	
Pour point	> -15 °C	DIN ISO 3016
Flash point	> 130 °C	DIN EN ISO 2592
Density - at 15 °C	0.85 g/cm ³	DIN EN ISO 12185
Water solubility	emulsifiable	
Kin. viscosity - at 20 °C	9 mm ² /s	ASTM D 7042
Water hazard class	WHC 1 - slightly hazardous to water	
Working temperature	0 °C to 60 °C	
GISCODE/Product Code	BTM 20	

Introduction

- 3 Overview
- 4 Key
- 5 Safety instructions
- 8 Intended use
- 9 Instructions for Use
- 9 Additional technical documentation
- 10 Target groups

Application

- 12 External application
- 14 Internal application
- 16 Storage
- 16 Transportation
- 17 Disposal

Components

- 18 PERI Plasto-Clean

Appendix

- 19 Safety Data Sheet

Key

Pictogram | Definition



Danger / Warning / Caution



INFORMATION



To be complied with



Tip



Safety gloves



Safety glasses



Protective clothing



Protective mask

Dimension specifications

Dimensions are usually given in cm.
Other measurement units, e.g. mm,
are shown in the illustrations.

Load details are usually given in kg.
Other measurement units, e.g. t, are
shown in the illustrations.

Conventions

- Instructions are numbered with:
1., 2., 3.
- The result of an instruction is shown
by: →

Safety instructions

Safety instruction categories

The safety instructions alert site personnel to the risks involved and provide information on how to avoid these risks. Safety instructions are featured at the beginning of the section or ahead of the instructions, and are highlighted as follows:



DANGER

This sign indicates an extremely hazardous situation which, if not avoided, will result in death or serious injury.



WARNING

This sign indicates a hazardous situation which, if not avoided, could result in death or serious injury.



CAUTION

This sign indicates a hazardous situation which, if not avoided, could result in minor or moderate injury.



INFORMATION

This sign indicates warning of situations whereby failure to observe the information can result in material damage.

Set-up of the safety instructions



SIGNAL WORD

Type and source of the danger!
Consequences of non-compliance.
⇒ Avoidance measures.

Safety instructions

General

When using PERI Plasto-Clean, the Instructions for Use are to be complied with at all times!

Without exception, all current safety regulations and guidelines valid in those countries where our products are used and inspected must be observed; see also the Safety Data Sheet in the appendix.

The contractor must ensure that the Instructions for Use provided by PERI are available at all times for the users and that they are fully understood!

The contractor can only assign those persons to independently use the concrete release agent who are actually familiar with the task!

The PERI Plasto-Clean concrete release agent is to be used as intended so that persons are never put at risk in any way, e.g. observe the wind direction!

Personal protective equipment

The contractor must ensure that the required personal protective equipment (PPE) is available and used as intended. The PPE consists of:



Safety gloves



Safety glasses



Protective clothing



Protective mask

For more specific information on the PPE, see the Safety Data Sheet, Section 8, in the appendix.

Safety instructions

Product-specific



DANGER

May be fatal if swallowed and enters the respiratory tract.

Therefore:

- do not inhale any release agent odour nor
- eat, drink, smoke or sniff the substance.

If swallowed or inhaled, immediately call the local poison control centre or doctor. Do NOT induce vomiting.

⇒ Always wear a protective mask when working with the release agent.



CAUTION

Repeated contact with the skin may cause skin dryness and cracking.

Therefore, avoid contact with the skin.

⇒ Wear protective clothing and protective gloves.

For more information on the

- dangers, see the Safety Data Sheet, Section 2, in the appendix.
- First-aid measures: see the Safety Data Sheet, Section 4, in the appendix.

When complying with the general rules of occupational safety and industrial hygiene, there is no risk to the health of the personnel when using this product.

Fire-fighting measures



DANGER

If a fire should break out, hazardous decomposition products such as carbon monoxide and carbon dioxide are produced.

Do not inhale explosion or combustion gases.

⇒ Wear an ambient condition-independent respirator.

For more information on fire fighting, see the Safety Data Sheet, Section 5, in the appendix.

Intended Use

PERI products have been designed for exclusive use in the industrial and commercial sectors by suitably trained personnel only!

PERI Plasto-Clean is used as a concrete release agent.

PERI Plasto-Clean is suitable for use on

- commercially available formwork and construction site equipment; particularly suitable for challenging concrete surfaces, e.g. architectural concrete,
- heated formwork,
- non or moderately absorbent formlining, e.g. formwork panels coated with phenolic resin,
- all-plastic panels,
- plastic-coated formlining, e.g. polypropylene formliners.

Instructions on use

The use in a way not intended or deviating from the intended use according to the Instructions for Use represents a misapplication with a potential safety risk.

Changes to PERI components are not permitted.

Only PERI original parts may be used. The use of other products and spare parts represents a misapplication with associated safety risks.

Before being used for the first time, spray the side surfaces and the frame side of the formwork panels with concrete release agent.

Formlining is sprayed immediately after striking. PERI Plasto-Clean prevents the adhesion of concrete to the forming surface and thereby reduces cleaning requirements.

If used correctly, any subsequent processing of the concrete surfaces through plastering, wallpaper, paint and ceramic is not adversely affected.

PERI Plasto-Clean is supplied in ready-to-use in 20 l plastic canisters or 208 l metal drums.

Use a suitable pumping system to extract PERI Plasto-Clean from the 208 l metal drum.

Additional technical documentation

- Instructions for Use:
 - PERI Clean
 - PERI Bio Clean
 - Release agent pressure sprayer

Target groups

Contractors

These Instructions for Use are intended for contractors who either

- assemble, modify and dismantle PERI products, or
- use them, e.g. for concreting, or
- who have them used, e.g. for forming operations.

Construction site coordinator

The Safety and Health Protection Coordinator*

- is appointed by the client,
- must identify potential hazards during the planning phase,
- determines measures that provide protection against risks,
- creates a safety and health plan,
- coordinates the protective measures for the contractor and site personnel so that they do not endanger each other,
- monitors compliance with the protective measures.

Competent personnel

Due to the specialist knowledge gained from professional training, work experience, and recent professional activity, the competent person has a reliable understanding of safety-related issues and can correctly carry out inspections. Depending on the complexity of the test to be undertaken, e.g. scope of testing, type of testing or the use of certain measuring devices, a range of specialist knowledge is necessary.



- **In other countries, ensure that the relevant national guidelines and regulations in the respective current version are complied with!**
- **If no country-specific regulations are available, it is recommended to proceed according to German guidelines and regulations.**

* Valid in Germany: Regulations for Occupational Health and Safety on Construction Sites 30 (RAB 30)

Qualified persons

PERI products may only be assembled, modified or dismantled by personnel who are suitably qualified to do so. For the work to be carried out, the qualified persons must have received instructions** covering at least the following points:

- Explanation of the plan for the assembly, modification or dismantling of the PERI product in an understandable form and language.
- Description of measures in order to safely assemble, modify or dismantle the PERI product.
- Designation of the preventive measures to avoid the risk of persons and objects falling.
- Designation of the safety precautions in the event of changing weather conditions which could adversely affect the safety of the PERI product concerned as well as the personnel.
- Details regarding the permissible loads.
- Description of any other risks that are associated with the assembly, modification or dismantling procedures.

** Instructions are given by the contractor himself or a competent person selected by him.

Apply using a release agent pressure sprayer



DANGER

May be fatal if swallowed and if it enters the respiratory tract.

If swallowed, immediately call the local poison control centre or doctor.

Do NOT induce vomiting.

⇒ Only work with PPE.



INFORMATION

Guide value for application quantity depending on the type of formlining: 20 g/m².

Used in excess, this can lead to spotting, powdering and sanding of the concrete surface.



- When using a release agent pressure sprayer, the PERI Plasto-Clean concrete release agent may only be used externally, e.g. on the construction site.
- Wear personal protective equipment. The PPE consists of:
 - Safety glasses
 - Safety gloves
 - Protective clothing
 - Protective mask
- Carefully open the container.
- Working pressure of the release agent pressure sprayer: approx. 3 bar.
- For instructions on how to use the release agent pressure sprayer, see the Instructions for Use supplied by the manufacturer.
- The PERI Plasto-Clean concrete release agent can also be applied by hand when used outside. We would advise against doing this because uniform distribution is very difficult.



To ensure the release agent is evenly distributed over the formlining, we recommend applying the release agent to a horizontally-positioned formwork panel. (Fig. 01)

Application

1. Apply concrete release agent thinly and evenly by means of the flat spray nozzle attached to the release agent pressure sprayer.
2. With a standard rubber scraper, e.g. pull-off edge, remove any surplus concrete release agent.
3. Wipe the formlining, e.g. with a cloth.

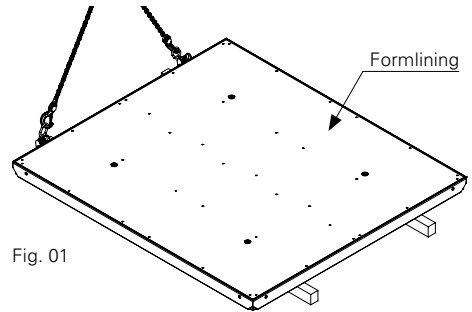


Fig. 01

Application by hand

Alternatively, the release agent can be applied by hand using the following:

- brush
- roller
- cloth



DANGER

May be fatal if swallowed and if it enters the respiratory tract.

If swallowed, immediately call the local poison control centre or doctor.

Do NOT induce vomiting.

⇒ Only work with PPE.



- When used inside, e.g. in closed rooms or halls, PERI Bio Clean concrete release agent may only be applied by hand – not using the release agent pressure sprayer.
- Wear personal protective equipment.
The PPE consists of:
 - Safety glasses
 - Safety gloves
 - Protective clothing
 - Protective mask
- Guide value for application quantity depending on the type of formlining: 20 g/m². Used in excess, this can lead to spotting, powdering and sanding of the concrete surface.



To ensure the release agent is distributed evenly over the formlining, we recommend applying the release agent to a horizontally-positioned formwork panel. (Fig. 02)

Application

1. Apply the concrete release agent thinly and evenly using a brush, roller or cloth – ideally on the formlining of horizontally-positioned formwork panels.
2. With a standard rubber scraper, e.g. pull-off edge, remove any surplus concrete release agent.
3. Wipe the formlining, e.g. with a cloth.

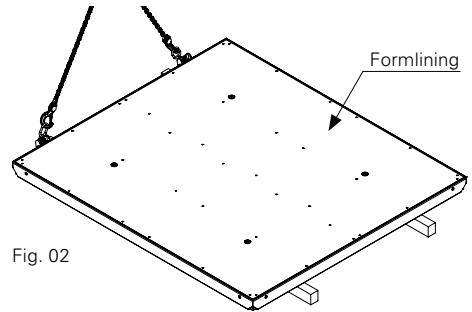


Fig. 02

Storage



- Storage class: 10 – according to TRGS 510.
- Storage period: 36 months.
- Storage temperature: 0 °C to 40 °C.

Keep the container tightly closed and store in a cool, well-ventilated place.

Protect container against:

- frost
- heat
- direct sunlight

Transportation



It is not a hazardous material as defined in the transport regulations for agriculture (ADR), maritime (IMDG) and air transport (ICAO).

See also the Safety Data Sheet, Section 14, in the appendix.

During the moving procedure with the crane, ensure that containers are picked up and set down so that any unintentional falling over, falling apart, sliding, falling to the ground or rolling is avoided.

Disposal



- Water hazard class: WHC 1 – slightly hazardous to water.
- Status: mixing rule in accordance with VwVwS* Appendix 4, No. 3.

Concrete release agent must not be discharged into:

- the sewer system,
- bodies of water,
- underground / soil.

For more information on the correct disposal, see Safety Data Sheet, Section 13, in the appendix.

* VwVwS = (German) Regulation on Substances Hazardous to Water

Item no.	Weight kg		
118778	0.84	PERI Plasto-Clean	Note
118779	0.84	PERI Plasto-Clean, 20 L	Follow Instructions for Use!
		PERI Plasto-Clean, 208 L Chemical-physical concrete release agent manufactured on a mineral oil basis. Can be used for standard formwork and construction site equipment. Water Hazard Class: WHC 1.	

104890	4.700	Release agent pressure sprayer For evenly spraying formlining surfaces with PERI Clean, PERI Bio Clean or PERI Plasto-Clean.	Complete with 1 x 117019 Flat Spray Nozzle 1 x 117017 Spiral Hose 2.5 m 1 x 117015 Shut-Off Valve 1 x 031526 Sealing Kit 1 x 117016 Air Pump
			Note Follow Instructions for Use!

Safety Data Sheet

according to Regulation (EC) No 1907/2006

Revision date:
16.08.2017

PERI Plasto-Clean

Page 1 of 7

SECTION 1: Identification of the substance/mixture and of the company/undertaking

1.1. Product identifier

PERI Plasto-Clean

1.2. Relevant identified uses of the substance or mixture and uses advised against

Use of the substance/mixture

Separating agent

1.3. Details of the supplier of the safety data sheet

Company name:	PERI GmbH	
Street:	Rudolf-Diesel-Str.	
Place:	D-89264 Weißenhorn	
Telephone:	+49 (0) 7309 / 950-0	Telefax: +49 (0) 7309 / 951-0
e-mail:	info@peri.de	
Contact person:	Uwe Allmendinger	Telephone: +49 (0) 7161 / 802-297
e-mail:	u.allmendinger@zeller-gmelin.de	

1.4. Emergency telephone number:

Germany: +49 (0) 7161 / 802-400
In England and Wales: NHS Direct: 0845 4647 or 111 In Scotland: NHS 24 - 08454 24 24 24 In Republic of Ireland: 01 809 2166

SECTION 2: Hazards identification

2.1. Classification of the substance or mixture

Regulation (EC) No. 1272/2008

Hazard categories:
Aspiration hazard: Asp. Tox. 1
Hazard Statements:
May be fatal if swallowed and enters airways.

2.2. Label elements

Regulation (EC) No. 1272/2008

Hazard components for labelling

distillates (petroleum), hydrotreated light paraffinic hydrocarbons, C14-C18, n-alkanes, isoalkanes, cyclics, aromatics (2-30%)

Signal word: Danger

Pictograms:



Hazard statements

H304 May be fatal if swallowed and enters airways.

Precautionary statements

P302+P350 IF ON SKIN: Gently wash with plenty of soap and water.
P301+P310 IF SWALLOWED: Immediately call a POISON CENTER/doctor.
P331 Do NOT induce vomiting.

Special labelling of certain mixtures

EUH066 Repeated exposure may cause skin dryness or cracking.

2.3. Other hazards

Results of PBT and vPvB assessment: not applicable.

SECTION 3: Composition/information on ingredients

3.2. Mixtures

Safety Data Sheet

according to Regulation (EC) No 1907/2006

Revision date:
16.08.2017

PERI Plasto-Clean

Page 2 of 7

Chemical characterization

Mineral oil-based mixture. Mineral oil with DMSO extract < 3 % as measured by IP 346.

Hazardous components

CAS No	Chemical name			Quantity
	EC No	Index No	REACH No	
	Classification according to Regulation (EC) No. 1272/2008 [CLP]			
64742-55-8	distillates (petroleum), hydrotreated light paraffinic			25 - < 100 %
	265-158-7	649-468-00-3	01-2119487077-29	
	Asp. Tox. 1; H304			
	hydrocarbons, C14-C18, n-alkanes, isoalkanes, cyclics, aromatics (2-30%)			25 - < 100 %
	920-360-0		01-2119448343-41	
	Asp. Tox. 1; H304 EUH066			

Full text of H and EUH statements: see section 16.

SECTION 4: First aid measures**4.1. Description of first aid measures****General information**

When in doubt or if symptoms are observed, get medical advice. If unconscious place in recovery position and seek medical advice. Remove contaminated, saturated clothing immediately.

After inhalation

Remove casualty to fresh air and keep warm and at rest.

After contact with skin

After contact with skin, wash immediately with plenty of water and soap.

After contact with eyes

After contact with the eyes, rinse with water with the eyelids open for a sufficient length of time, then consult an ophthalmologist immediately.

After ingestion

If swallowed, rinse mouth with water (only if the person is conscious). Let water be drunk in little sips (dilution effect). Call a physician immediately. Do NOT induce vomiting.

4.2. Most important symptoms and effects, both acute and delayed

When in doubt or if symptoms are observed, get medical advice.

4.3. Indication of any immediate medical attention and special treatment needed

No information available.

SECTION 5: Firefighting measures**5.1. Extinguishing media****Suitable extinguishing media**

alcohol resistant foam, Extinguishing powder, Carbon dioxide (CO₂).

Unsuitable extinguishing media

High power water jet.

5.2. Special hazards arising from the substance or mixture

Hazardous decomposition products: Carbon monoxide Carbon dioxide (CO₂). Do not inhale explosion and combustion gases.

5.3. Advice for firefighters

In case of fire: Wear self-contained breathing apparatus.

Additional information

Collect contaminated fire extinguishing water separately. Do not allow entering drains or surface water. Do not allow to enter into soil/subsoil.

SECTION 6: Accidental release measures

Safety Data Sheet

according to Regulation (EC) No 1907/2006

Revision date:
16.08.2017

PERI Plasto-Clean

Page 3 of 7

6.1. Personal precautions, protective equipment and emergency procedures

See protective measures under point 7 and 8.

6.2. Environmental precautions

Do not allow to enter into surface water or drains. Do not allow to enter into soil/subsoil. Clean contaminated articles and floor according to the environmental legislation.

6.3. Methods and material for containment and cleaning up

Absorb with liquid-binding material (e.g. sand, diatomaceous earth, acid- or universal binding agents). Treat the recovered material as prescribed in the section on waste disposal.

6.4. Reference to other sections

See protective measures under point 7 and 8.

SECTION 7: Handling and storage

7.1. Precautions for safe handling

Advice on safe handling

Use personal protection equipment. Do not eat, drink or smoke when using this product. Provide fresh air. Handle and open container with care. Conditions to avoid: generation/formation of aerosols.

Advice on protection against fire and explosion

No special measures are necessary.

7.2. Conditions for safe storage, including any incompatibilities

Requirements for storage rooms and vessels

Protect against: Frost. Keep away from heat. Protect against direct sunlight. Keep container tightly closed in a cool, well-ventilated place.

7.3. Specific end use(s)

Observe technical data sheet.

SECTION 8: Exposure controls/personal protection

8.1. Control parameters

8.2. Exposure controls

Appropriate engineering controls

See chapter 7. No additional measures necessary.

Protective and hygiene measures

When using do not eat, drink, smoke, sniff.

Eye/face protection

Eye glasses with side protection.

Hand protection

Wear suitable gloves. Recommended glove articles: DIN EN 374. Suitable material: NBR (Nitrile rubber). Breakthrough time (maximum wearing time): > 480 min (Thickness of the glove material: 0.4 mm). Breakthrough times and swelling properties of the material must be taken into consideration. For special purposes, it is recommended to check the resistance to chemicals of the protective gloves mentioned above together with the supplier of these gloves. Barrier creams can help protecting exposed skin areas. In no case should they be used after contact.

Skin protection

Protective clothing.

Respiratory protection

With correct and proper use, and under normal conditions, breathing protection is not required. When splashes or fine mist form, a permitted breathing apparatus suitable for these purposes must be used. Suitable respiratory protection apparatus: Filtering Half-face mask (DIN EN 149), e.g. FFA P / FFP3.

Environmental exposure controls

Do not allow to enter into surface water or drains.

Safety Data Sheet

according to Regulation (EC) No 1907/2006

Revision date:
16.08.2017

PERI Plasto-Clean

Page 4 of 7

SECTION 9: Physical and chemical properties

9.1. Information on basic physical and chemical properties

Physical state: liquid
Colour: yellow
Odour: characteristic

Test method

pH-Value: not applicable

Changes in the physical state

Melting point:	not determined
Initial boiling point and boiling range:	not determined
Pour point:	not determined
Flash point:	> 130 °C EN ISO 2592
Lower explosion limits:	0,6 vol. %
Upper explosion limits:	6,5 vol. %
Ignition temperature:	not determined
Decomposition temperature:	No information available.
Vapour pressure: (at 20 °C)	< 0,1 hPa
Density (at 15 °C):	0,85 g/cm ³ DIN EN ISO 12185
Water solubility:	emulsifiable
Partition coefficient:	not determined
Viscosity / dynamic:	not determined
Viscosity / kinematic: (at 20 °C)	9 mm ² /s ASTM D 7042
Flow time:	not determined
Vapour density:	not determined
Evaporation rate:	not determined

9.2. Other information

No information available.

SECTION 10: Stability and reactivity

10.1. Reactivity

No information available.

10.2. Chemical stability

No information available.

10.3. Possibility of hazardous reactions

No hazardous reaction when handled and stored according to provisions.

10.4. Conditions to avoid

Heat.

10.5. Incompatible materials

No information available.

10.6. Hazardous decomposition products

No information available.

SECTION 11: Toxicological information

11.1. Information on toxicological effects

Safety Data Sheet

according to Regulation (EC) No 1907/2006

Revision date:
16.08.2017

PERI Plasto-Clean

Page 5 of 7

Acute toxicity

Based on available data, the classification criteria are not met.

CAS No	Chemical name				
	Exposure route	Dose	Species	Source	Method
	hydrocarbons, C14-C18, n-alkanes, isoalkanes, cyclics, aromatics (2-30%)				
	oral	LD50 mg/kg	> 4150	Rat	ECHA Dossier
	dermal	LD50 mg/kg	> 2000,0	Rabbit	ECHA Dossier
	inhalative (4 h) aerosol	LC50 mg/l	> 5,28	Rat	ECHA Dossier

Irritation and corrosivity

Based on available data, the classification criteria are not met.

Sensitising effects

Based on available data, the classification criteria are not met.

Carcinogenic/mutagenic/toxic effects for reproduction

Based on available data, the classification criteria are not met.

STOT-single exposure

Based on available data, the classification criteria are not met.

STOT-repeated exposure

Repeated exposure may cause skin dryness or cracking.

Aspiration hazard

May be fatal if swallowed and enters airways. (distillates (petroleum), hydrotreated light paraffinic; hydrocarbons, C14-C18, n-alkanes, isoalkanes, cyclics, aromatics (2-30%))

Practical experience**Other observations**

Keeping to the general worker's protection rules and the industrial hygienics, there is no risk in handling this product through the personnel.

SECTION 12: Ecological information**12.1. Toxicity**

There are no data available on the mixture itself.

12.2. Persistence and degradability

There are no data available on the mixture itself.

CAS No	Chemical name			
	Method	Value	d	Source
	Evaluation			
	hydrocarbons, C14-C18, n-alkanes, isoalkanes, cyclics, aromatics (2-30%)			
	OECD 301F/ ISO 9408/ EEC 92/69/V, C.4-D	60,7%	28	ECHA Dossier
	Readily biodegradable (according to OECD criteria).			

12.3. Bioaccumulative potential

There are no data available on the mixture itself.

Partition coefficient n-octanol/water

CAS No	Chemical name	Log Pow
	hydrocarbons, C14-C18, n-alkanes, isoalkanes, cyclics, aromatics (2-30%)	> 3,50

12.4. Mobility in soil

No data available

12.5. Results of PBT and vPvB assessment

No data available

Safety Data Sheet

according to Regulation (EC) No 1907/2006

Revision date:
16.08.2017

PERI Plasto-Clean

Page 6 of 7

12.6. Other adverse effects

No data available

SECTION 13: Disposal considerations

13.1. Waste treatment methods

Advice on disposal

Do not allow to enter into surface water or drains. This material and its container must be disposed of in a safe way. Waste disposal according to EC directives 75/442/EEC and 91/689/EEC in the corresponding versions, covering waste and dangerous waste.

Waste disposal number of waste from residues/unused products

130205 OIL WASTES AND WASTES OF LIQUID FUELS (EXCEPT EDIBLE OILS, AND THOSE IN CHAPTERS 05, 12 AND 19); waste engine, gear and lubricating oils; mineral-based non-chlorinated engine, gear and lubricating oils; hazardous waste

Contaminated packaging

Non-contaminated packages may be recycled. Consult the appropriate local waste disposal expert about waste disposal.

SECTION 14: Transport information

Land transport (ADR/RID)

14.1. UN number: No dangerous good in sense of this transport regulation.
14.2. UN proper shipping name: No dangerous good in sense of this transport regulation.
14.3. Transport hazard class(es): No dangerous good in sense of this transport regulation.
14.4. Packing group: No dangerous good in sense of this transport regulation.

Marine transport (IMDG)

14.1. UN number: No dangerous good in sense of this transport regulation.
14.2. UN proper shipping name: No dangerous good in sense of this transport regulation.
14.3. Transport hazard class(es): No dangerous good in sense of this transport regulation.
14.4. Packing group: No dangerous good in sense of this transport regulation.
 Marine pollutant: NO

Air transport (ICAO-TI/IATA-DGR)

14.1. UN number: No dangerous good in sense of this transport regulation.
14.2. UN proper shipping name: No dangerous good in sense of this transport regulation.
14.3. Transport hazard class(es): No dangerous good in sense of this transport regulation.
14.4. Packing group: No dangerous good in sense of this transport regulation.

14.5. Environmental hazards

ENVIRONMENTALLY HAZARDOUS: no

14.6. Special precautions for user

No data available

14.7. Transport in bulk according to Annex II of Marpol and the IBC Code

No data available

SECTION 15: Regulatory information

15.1. Safety, health and environmental regulations/legislation specific for the substance or mixture

EU regulatory information

2010/75/EU (VOC): 0 %

National regulatory information

Water contaminating class (D): 1 - slightly water contaminating

15.2. Chemical safety assessment

Chemical safety assessments for substances in this mixture were not carried out.

Safety Data Sheet

according to Regulation (EC) No 1907/2006

Revision date:
16.08.2017**PERI Plasto-Clean**

Page 7 of 7

SECTION 16: Other information**Changes**

This data sheet contains changes from the previous version in section(s): 2,4,5,6,7,8,9,10,11,12,13,14,15.

Abbreviations and acronyms

ADR: Accord européen relatif au transport international des marchandises dangereuses par route (European Agreement concerning the International Carriage of Dangerous Goods by Road)
 RID: Règlement concernant le transport international ferroviaire des marchandises dangereuses (Regulations concerning the International Carriage of Dangerous Goods by Rail)
 IMDG: International Maritime Code for Dangerous Goods
 IATA: International Air Transport Association
 ICAO: International Civil Aviation Organization
 CAS: Chemical Abstracts Service (a division of the American Chemical Society)
 DNEL/DMEL: Derived No-Effect Level / Derived Minimal Effect Level
 PNEC: Predicted No Effect Concentration
 WEL (UK): Workplace Exposure Limits
 TWA (EC): Time-Weighted Average
 STEL (EC): Short Term Exposure Limit
 ATE: Acute Toxicity Estimate
 LD50: Lethal Dose, 50% (median lethal dose)
 LC50: Lethal Concentration, 50% (median lethal concentration)
 EC50: half maximal Effective Concentration
 ErC50: EC50 in terms of reduction of growth rate
 VwVwS: Verwaltungsvorschrift wassergefährdende Stoffe

Relevant H and EUH statements (number and full text)

H304 May be fatal if swallowed and enters airways.
 EUH066 Repeated exposure may cause skin dryness or cracking.

Further Information

Safety Data Sheet according to COMMISSION REGULATION (EU) 2015/830 of 28 May 2015 amending Regulation (EC) No 1907/2006 of the European Parliament and of the Council on the Registration, Evaluation, Authorisation and Restriction of Chemicals (REACH).

 The above information describes exclusively the safety requirements of the product and is based on our present-day knowledge. The information is intended to give you advice about the safe handling of the product named in this safety data sheet, for storage, processing, transport and disposal. The information cannot be transferred to other products. In the case of mixing the product with other products or in the case of processing, the information on this safety data sheet is not necessarily valid for the new made-up material.

(The data for the hazardous ingredients were taken respectively from the last version of the sub-contractor's safety data sheet.)

**The optimal
System for every
Project and every
Requirement**



Wall Formwork



Column Formwork



Slab Formwork



Climbing System



Bridge Formwork



Tunnel Formwork



Shoring Systems



Construction Scaffold



Facade Scaffold



Industrial Scaffold



Access



Protection Scaffold



Safety Systems



**System-Independent
Accessories**



Services



PERI GmbH
Formwork Scaffolding Engineering
 Rudolf-Diesel-Strasse 19
 89264 Weissenhorn
 Germany
 Tel. +49 (0)7309.950-0
 Fax +49 (0)7309.951-0
 info@peri.com
 www.peri.com

