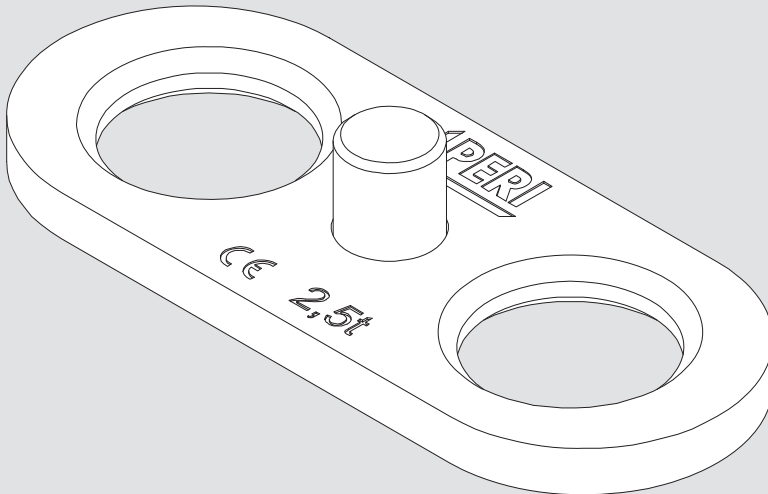


Crane Eye BR-2 2.5 t
Item no. 127834

Translation of the Original Instructions for Use

CE



Introduction

Overview	1
Safety Instructions	2
Intended Use	4
Instructions on Use	5
Storage and Transportation	6
Additional Product Information	6
Care and Maintenance Instructions	6
Markings	7
Inspections	8

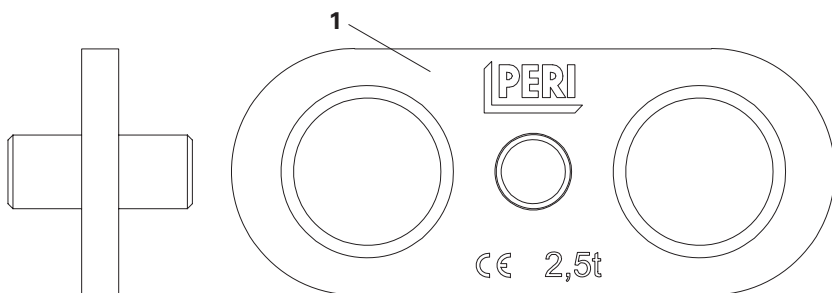
Application

Attaching	10
Assembly	11
Transport of Load	12
Dismantling	14
Disposal	15

Appendix

Components	16
EC Declaration of Conformity	18

Overview



(1) Crane Eye BR-2 2.5 t

Key



Safety Instructions



Safety helmet



Tip



Safety shoes



Note



Safety gloves



Visual Check



Safety goggles



Load-bearing point

Safety Instructions

General

When using PERI load-carrying equipment, the Instructions for use and markings are to be complied with at all times!

For the application and inspection of our products, the current safety regulations and guidelines in the respective countries where they are being used must be observed at all times.

The contractor must ensure that the Instructions for Use provided by PERI are available at all times for the users and that they are fully understood!

The contractor can only assign those persons to independently use load-carrying equipment who are actually familiar with the task!

PERI load-carrying equipment is to be used accordingly so that persons are never put at risk in any way!

The maximum bearing capacity of PERI load-carrying equipment must not be exceeded!

All persons using the load-carrying equipment must check the equipment during use for obvious defects (e.g. deformations, cracks, breaks, incomplete markings)!

Do not use damaged load-carrying equipment!

PERI load-carrying equipment may not be used in the case of illegible or missing markings!

The contractor must ensure that the required personal protective equipment required for the assembly, modification or dismantling is available and used as intended.

Safety Instructions

Product-Specific

The person who attaches the load to the load-carrying equipment must be sufficiently secured against falling. In all cases, the load must be secured against falling over and sliding!

Move loads only during safe wind conditions. Observe storm warnings! Depending on the type of load and the surface area subjected to wind attack, the decision on whether sufficient safety is in place when moving the load is taken on the jobsite.

The lifting equipment which is attached to the Crane Eye BR-2 2.5 t must be equipped with a hook securing device.

The operator may begin to move the load only if he is completely satisfied that the load has been correctly attached.

Ensure loads are evenly balanced when being picked up! Loads must be sufficiently stable both in their form and position so that the load does not move during transportation!

Ensure that the load is in a safe and secure position before releasing the load-carrying equipment!

Always lift up or set down loads smoothly without any jerking!

Before moving, remove or secure any loose components!

Persons are not allowed to remain under the load being lifted!

Transporting persons on the load is prohibited!

Ensure that the lifting gear, such as steel wire ropes and chains, is not knotted or twisted! Ensure that the lifting chains of the load-carrying equipment are not wrapped around the load to be transported nor stretched over sharp edges! Twisted chains must be straightened!

For a better understanding, detailed illustrations are partly incomplete. The safety installations which have possibly not been featured in these detailed drawings must nevertheless be available.

Intended Use

PERI products have been designed for exclusive use in the industrial and commercial sectors only by suitably trained personnel!

The Crane Eye BR-2 2.5 t is classified as load-lifting equipment which is used as a load-bearing point for accommodating tensile forces. The Crane Eye BR-2 2.5 t may only be used as a connection between the lifting gear and the following systems:

- Shaft platform with Platform Beam BR
- Climbing Formwork RCS-C,
- Climbing Protection Panel RCS-P,
- Clamped Landing Platform RCS MP,
- Light Protection Screen LPS.

The Crane eye BR-2 2.5 t is not used in continuous operations and, after being mounted, becomes an integral part of the load.

The Crane Eye BR-2 2.5t may only be permanently attached to the specifically designated points of the approved systems. Details on the mounting and position are provided in the accompanying set of assembly instructions.

Only one sling of the lifting gear may be installed in the Crane Eye BR-2 2.5 t.

It is not permitted to transport persons using the Crane Eye BR-2 2.5 t.

These Instructions for Use contain information for ensuring proper handling and correct application, inspection and maintenance.

The product described here corresponds to the relevant provisions and regulations of EU Machinery Directive 2006/42/EC.

These Instructions for Use provide the basis for the risk assessment. The risk assessment shall be compiled by the contractor. The Instructions for Use do not replace the risk assessment!

The Crane eye BR-2 2.5 t may only be used:

1. Within the permissible load-bearing capacity.
2. Within the permissible temperature limits of -20°C to $+60^{\circ}\text{C}$.
3. When in faultless condition.
4. If correctly mounted.

Instructions for Use

The use in a way not intended or deviating from the intended use according to the Instructions of Use represents a misapplication with a potential safety risk.

Changes to PERI components are not permitted.

Only PERI original components may be used. The use of other products and spare parts represents a misapplication with associated safety risks.

Operations with a damaged Crane Eye BR-2 2.5 t is not permissible.

Lifting operations can only commence if it has been ensured that the load is properly connected to the lifting equipment.

Storage and Transportation

Store and transport the load-carrying equipment so that it cannot unintentionally change its position or be damaged in any way.

Do not drop the load-carrying equipment.

During the moving procedure with the crane, ensure that components are picked up and set down so that any unintentional falling over, falling apart, sliding, falling to the ground or rolling is avoided.

Do not place any loads on the load-carrying equipment.

Use original PERI storage and transport systems, e.g. crate pallets.

Store in a dry, clean and corrosion-protected condition at temperatures from -20°C to $+60^{\circ}\text{C}$.

PERI load-carrying equipment must be protected against the effects of the weather and aggressive materials if safety is then likely to be affected!

During transport, intermediate storage or when remaining suspended on the load, ensure that it remains free of dirt and that its functionality is not affected.

Additional product information

- Instructions for Assembly and Use CB 240
- CB 240 and CB 160 Climbing System Brochures

Care and Maintenance Instructions

The load-carrying equipment has been designed for long-term use on construction sites.

In order to ensure economical, technical and safe use over the long term, attention must be paid that the equipment is handled carefully at all times.

Repairs are to be carried out by authorized PERI personnel only. Only original PERI components may be used.

The repair or replacement of worn components is absolutely essential.

Markings

Marking of the Crane Eye BR-2 2.5 t



Important

The Crane Eye BR-2 2.5 t is not to be used if the marking is missing or illegible!

1a CE Marking (Fig. 1)

1b Permissible load-bearing capacity (Fig. 1)

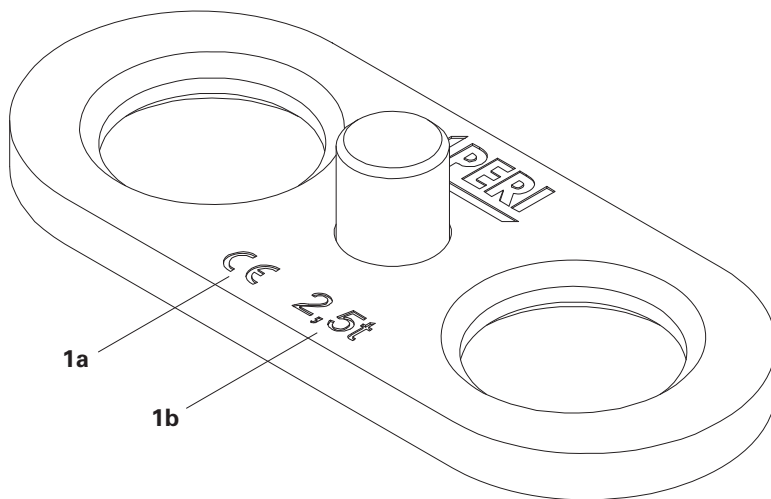


Fig. 1

Inspections

1. General

The procedure described in this section is based on the current German regulations for testing and inspections.

The respective regulations of the individual states and countries where this product is used must be taken into account.

The contractor is responsible for determining the type, scope and intervals for the required tests relating to the provision of the load-carrying equipment. As a result of these checks, any safety-related defects are to be systematically identified and remedied.

2. Purpose

Due to the check carried out before the initial operations as well as regularly recurring inspections of the load-carrying equipment, it can be ensured that operational and functional reliability is guaranteed.

3. Responsibility

The contractor must ensure that the load-carrying equipment is put into operation only if it has been inspected by a qualified person.

4. Inspection

4.1 Safety Check

It is has to be verified whether all defects have been rectified or non-functioning products have been replaced.

4.2 Implementing the Inspection

The inspection includes a visual and functional check:

- Deformation, wear and lengthening of the components.
- The Crane Eye BR-2 2.5 t may no longer be used if there is a geometric deviation of more than 3% of the original material diameter. (Fig. 2)
- Mechanical damage.
- Availability of all components.
- Damage due to corrosion.
- Cracks, bending, flattening, notches on welding seams and components.
- Only original PERI components may be used.
- Indications of impermissible heating or contact with fire.
- Markings must be legible.

4.3 Functional Check

- Moveability of the Crane eye BR-2 2.5 t within the girder itself.
- Eyes or shackles for fastening purposes can be used.

Implementation of anything beyond the usual scope of inspection is subject to the discretion of the competent person and can extend to additional checks.

Inspections

4.4 Measures

If any defects are determined during the safety inspection, they must be eliminated according to the instructions provided by the inspector. A new inspection is to be subsequently carried out.

4.5 Inspection Before Starting Work

- Check that the load-bearing capacity of the Crane Eye BR-2 2.5 t is sufficient for the weight of the load.
- Check the Crane Eye BR-2 2.5 t for any defects.
- Attach lifting equipment.
- Firstly, lift and lower the load only a short distance from the ground, then set down and relieve load.

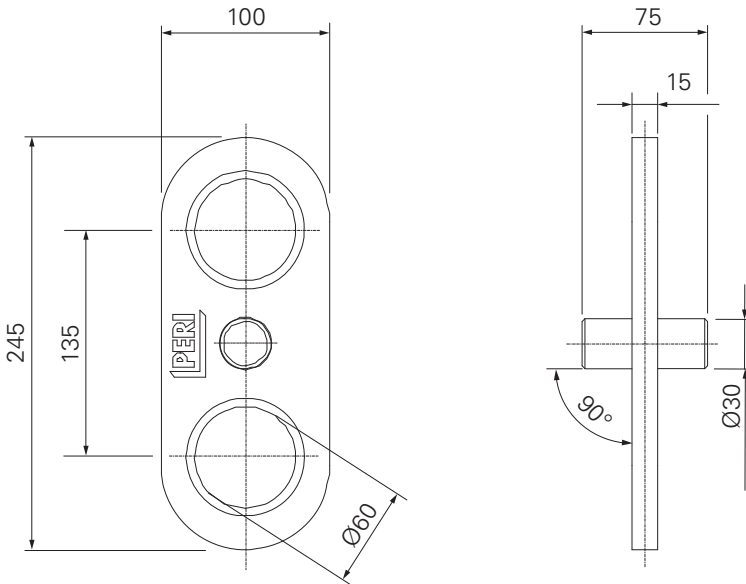


Fig. 2



Danger

The 2.5 t load-bearing capacity of the Crane Eye BR-2 2.5 t may not be exceeded!

The Crane Eye BR-2 2.5 t has not been designed for transporting persons!

Do not stand under suspended loads!

– Load Factor: 3

(According to DIN 13155 = ratio of the breaking load to the permissible load-bearing capacity).

Crane sling angle	Load-bearing capacity F1
$\beta_1 \leq 30^\circ$	2.5 t 25 kN
$\beta_2 \leq 20^\circ$	

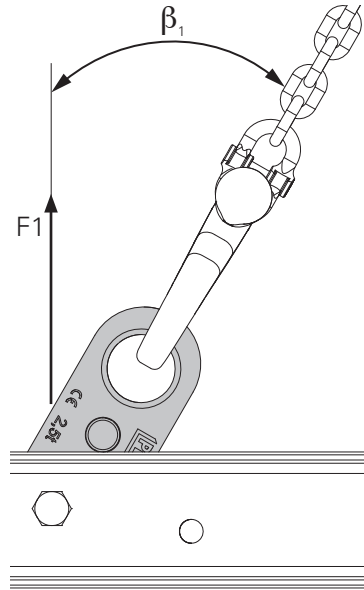


Fig. 3



Before attaching

The Crane Eye BR-2 2.5 t must be correctly mounted.

Only one sling of the lifting gear may be fixed to each Crane Eye BR-2 2.5 t.

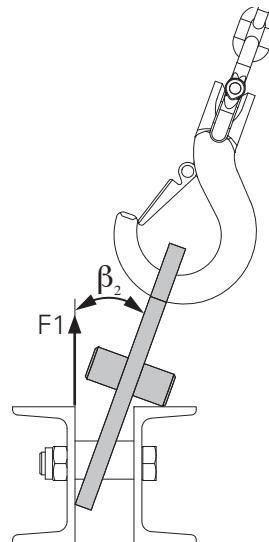


Fig. 4

Attaching



For transporting the respective system, only lifting gear with chains of sufficient length, load-bearing capacity and securing mechanism may be used!

Attach Hook (H) of the lifting gear in the upper hole (1) of the Crane Eye BR-2 2.5 t and close. (Fig. 5)

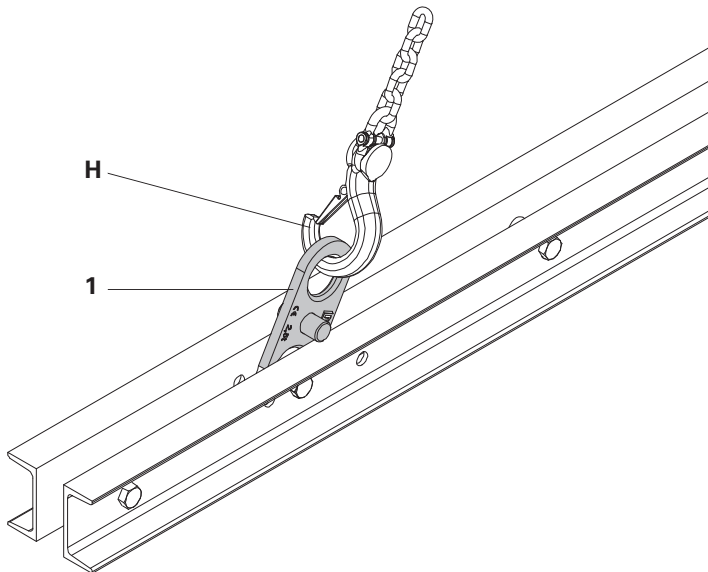


Fig. 5

Assembly



Warning

Only PERI original components may be used! Before initial operations, check that the Crane Eye BR-2 2.5 t has been properly installed and functions correctly!

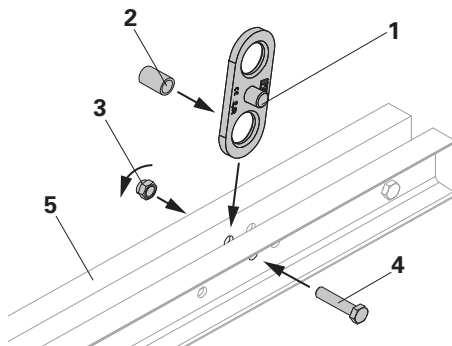


Fig. 6

1	Crane Eye BR-2 2.5 t	1x
2	Spacer Tube	1x
3	Nut ISO7042-M20-8-VZ	1x
4	Bolt ISO4014-M20X090-8.8-VZ	1x
5	Platform Beam BR	1x

1. Insert Spacer Tube (2) through the bottom hole of the Crane Eye BR-2 2.5 t (1). (Fig. 6)
2. Position the Crane Eye BR-2 2.5 t (1) together with the Spacer Tube in the Platform Beam BR (5).
3. Insert the bolt (4) through the Platform Beam BR (5) and secure it on the opposite side by means of the nut (3). (Fig. 7+8)

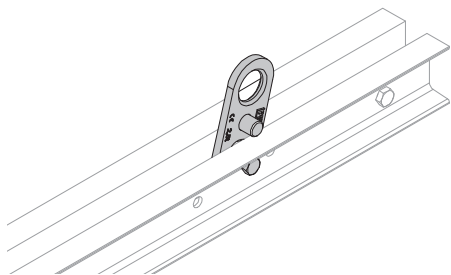


Fig. 7

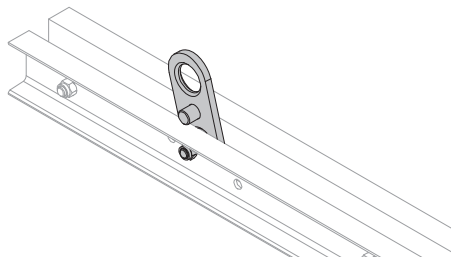


Fig. 8

Assembly



The procedure described here is an exemplary presentation and is applicable for all systems of the Crane Eye BR-2 2.5 t.

Take into account the correct installation situation of different assembly versions! See Instructions for Assembly and Use CB 240.



Check the connection of the Crane Eye BR-2 2.5 t:

- dimensional stability,
- components are undamaged,
- there are no missing components,
- attachment point of the Crane Eye BR-2 2.5 t.

Transport of Load



Warning

Personal protection equipment is to be worn during all transportation phases!



Before Lifting



Important

**Carefully tension the lifting gear before lifting takes place!
Ensure lifting is carried out smoothly (no jerking)!
Lifting operations may only be started when it has been ensured that the load has been correctly attached.**

During Transportation



Warning

**Do not stand under suspended loads!
Do not transport persons!
Do not transport any loose parts or other loads!
Risk of falling components!
Ensure uniform load distribution!**



Carefully lift the load and move into position on the next wall section by means of a guide rope.

Setting Down the Load



Important

**Never set the load down abruptly!
Never set the load down on obstacles!
Never set the load down on uneven surfaces!
Only set the load down on sufficiently load-bearing surfaces!**

Dismantling



Danger

Dismantling work must not be carried out on a suspended load! The load must be secured against tipping, rotating or sliding!



1. Loosen the nut (3) and remove from the bolt (4).
2. Pull out bolt (4) sideways from Platform Beam BR (5).
3. Pull out Crane Eye BR-2 2.5 t (1) with Spacer Tube (2) in an upwards direction.
4. Re-position Spacer Tube (2) in the Platform Beam BR (5).
5. Insert bolt (4) through Platform Beam BR (5) and Spacer Tube (2).
6. Secure bolt (4) with the nut (3). (Fig. 10)
7. Check Crane Eye BR-2 2.5 t for any signs of damage or deformations.

Disposal

If it has been determined that the Crane Eye BR-2 2.5 t is no longer suitable for use by an authorized person:

- ensure that the Crane Eye BR-2 2.5 t is correctly disposed of. It may no longer be used.
- The materials are to be separated according to type and then properly disposed of.
- The materials are to be disposed of according to local regulations and guidelines.

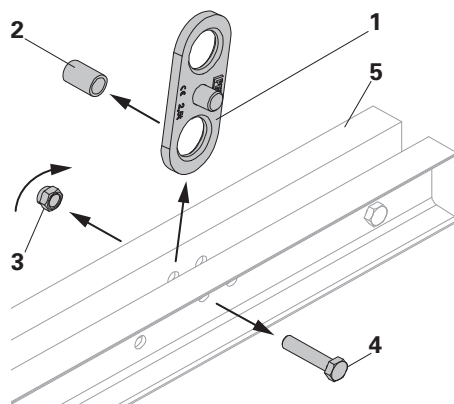


Fig. 9

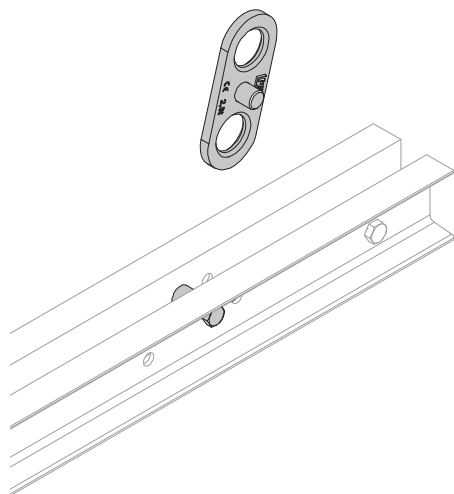


Fig. 10

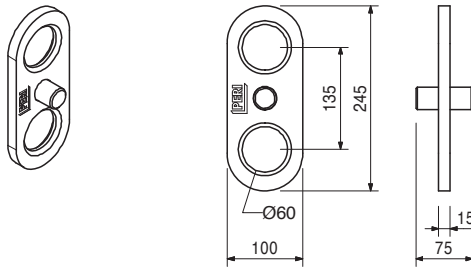
Item no.	Weight kg	
127834	2.210	Crane Eye BR-2 2.5 t For moving climbing systems or Platform Beam BR.

Note

Always follow the original Instructions for Use!

Technical Data

Permissible load-bearing capacity: 2.5 t.



Accessories		
020620	0.561	Spacer for Platform Beam BR

EG – Konformitätserklärung im Sinne der EG-Richtlinie 2006/42/EG Anhang II, 1.A

In der Gemeinschaft ansässige Person, die bevollmächtigt ist, die technischen Unterlagen zusammenzustellen:

Dipl.-Ing. Rainer Bolz
PERI GmbH
Rudolf-Diesel-Straße 19
89259 Weißenhorn

Beschreibung und Identifizierung:

Produktgruppe: Klettersysteme
Typ: Lastaufnahmemittel
Artikel-Nr.: 127834
Handels-Bez.: Tragöse BR-2 2,5 t

Es wird ausdrücklich erklärt, dass dieses Produkt allen einschlägigen Bestimmungen der folgenden EG-Richtlinien entspricht:

EG Maschinenrichtlinie 2006/42/EG

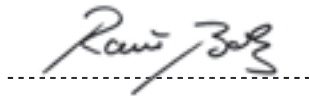
Fundstelle der angewandten harmonisierten Normen entsprechend Artikel 7 Absatz 2:

EN 13155 : 2009-08
EN 12100 : 2011-03

Weißenhorn, 11.02.2014

Hersteller

PERI GmbH
Postfach 1264
89259 Weißenhorn



Leitung Produktentwicklung

Dipl.-Ing. Rainer Bolz
PERI GmbH

This document is a translation into
English from the German original.

EC – declaration of conformity according to the **EC-Machinery Directive 2006/42/EC** **Annex II, 1.A**

Person residing within the Community authorised to compile the relevant technical documentation:

Dipl.-Ing. Rainer Bolz
PERI GmbH
Rudolf-Diesel-Strasse 19
89259 Weissenhorn

Description and identification:

Product Group:	Climbing Systems
Typ:	Lifting Accessory
Article-No.:	127834
Commercial Designation:	Crane Eye BR-2 2.5 t

It is expressly declared that this product fulfils all relevant provisions of the following EU Directives:

European Directive On Machinery 2006/42/EC

Reference to the harmonised standards used, as referred to in Article 7 Annex 2:

EN 13155 : 2009-08
EN 12100 : 2011-03

Weissenhorn, 11.02.2014

Manufacturer
PERI GmbH
Postfach 1264
89259 Weissenhorn

The optimal System for every Project and every Requirement



Wall Formwork



Column Formwork



Slab Formwork



Climbing Systems



Tunnel Formwork



Bridge Formwork



Shoring Systems



Construction Scaffold



Facade Scaffold



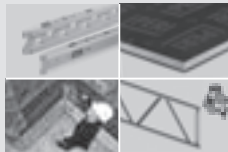
Industrial Scaffold



Access



Protection Scaffold



System-Independent Accessories



Services



PERI GmbH
Formwork Scaffolding Engineering
 Rudolf-Diesel-Strasse 19
 89264 Weissenhorn
 Germany
 Tel. +49 (0)7309.950-0
 Fax +49 (0)7309.951-0
 info@peri.com
 www.peri.com