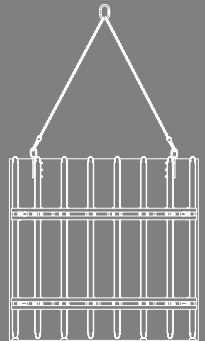
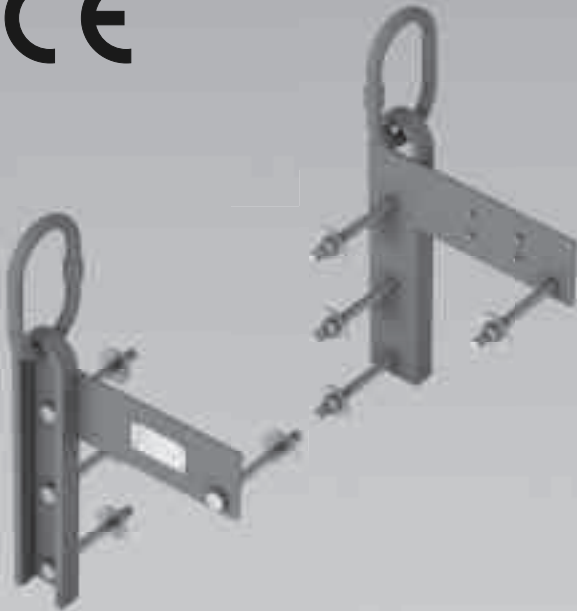


Crane Eye 24 right | left

Item no. 021990 | Item no. 021980

Translation of the Original Instructions for Use



Introduction

Overview	1
Key	2
Safety instructions	3
Intended use	6
Instructions for Use	7
Target groups	8
Storage and transportation	10
Additional technical documentation	11
Care and maintenance instructions	11
Identification markings	12
Inspections	12

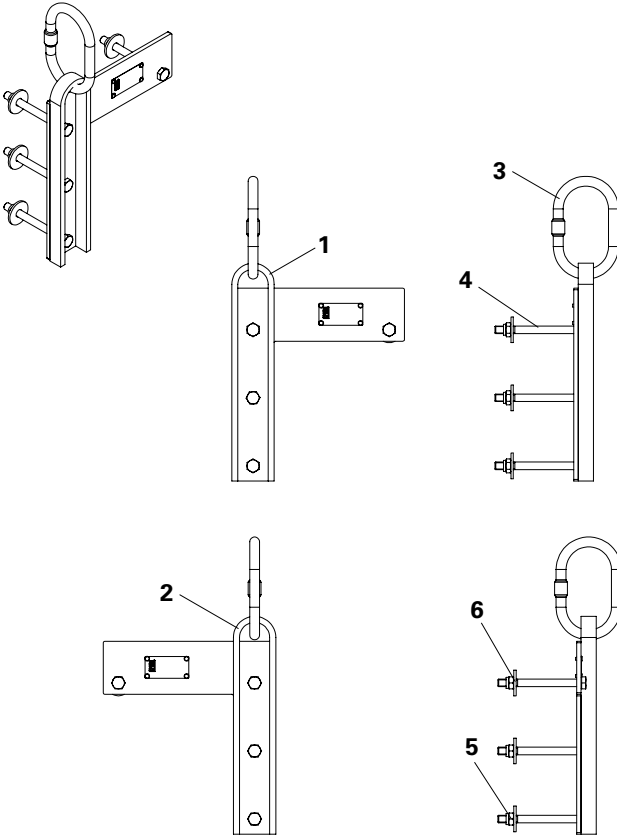
Application

Load-bearing capacity	14
Assembly	15
Transport of load	17
Dismantling	18
Disposal	19

Appendix

Components	20
EC Declaration of Conformity	22

Overview



- (1) Crane Eye 24, right
- (2) Crane Eye 24, left
- (3) Suspension link
- (4) Bolt ISO 4014
 - M10x110-8.8, galv.

- (5) Nut ISO 7042
 - M10-8, galv.
- (6) Washer R11
 - DIN 440, galv.

Key



Safety instructions



Tip



Note



Visual check



Load-bearing point



Safety helmet



Safety shoes



Safety gloves



Safety glasses



Misapplication

Dimension specifications

Dimensions are usually given in mm. Other units of measure, e.g. cm, are specified in the illustrations. Load details are usually given in kg. Other measurement units, e.g. t, are specified in the illustrations.

Conventions

- Instructions are numbered with: 1..... , 2..... , 3.....
- The result of an instruction is shown by: →
- Position numbers are clearly provided for the individual components and are given in the drawing, e.g. **1**, in the text in brackets, for example (1).
- Multiple position numbers, i.e. alternative components, are represented with a slash, e.g. **1 / 2**.

Arrows

→ Arrow representing an action

Safety instructions

The safety instructions alert site personnel to the risks involved and provide information on how to avoid these risks.

Safety instructions are featured at the beginning of the section ahead of the instructions, and are highlighted as follows:



Danger

This sign indicates an extremely hazardous situation which, if not avoided, will result in death or serious injury.



Warning

This sign indicates a hazardous situation which, if not avoided, could result in death or serious injury.



Caution

This sign indicates a hazardous situation which, if not avoided, could result in minor or moderate injury.



This sign indicates warning of situations whereby failure to observe the information can result in material damage.

Safety instructions

General

When using PERI lifting accessories, the Instructions for Use and markings are to be complied with at all times!

Deviations from the standard configuration are only permitted after a further risk assessment has been carried out by the contractor.

On the basis of this risk assessment, appropriate measures for working and operational safety as well as stability are to be determined.

For the application and inspection of our products, the current safety regulations and guidelines in the respective countries where they are being used must be observed at all times.

The contractor must ensure that the Instructions for Use provided by PERI are available at all times for the users and that they are fully understood!

The contractor can only assign those persons to independently use lifting accessories who are actually familiar with the task!

PERI lifting accessories are to be used in such a way that persons are not put at risk!

The maximum load-bearing capacity of PERI lifting accessories must not be exceeded! All persons using the lifting accessories must monitor the equipment during use for obvious defects (e.g. deformations, cracks, breaks, incomplete markings)!

Do not use damaged lifting accessories!

PERI lifting accessories may not be used in the case of illegible or missing markings!

The contractor must ensure that the personal protective equipment required for the assembly, modification or dismantling of the system is available and used as intended.

For a better understanding, detailed illustrations are partly incomplete. The safety installations which have possibly not been featured in these detailed drawings must nevertheless be present!

Safety instructions

Product-specific

The person who attaches the load to the lifting accessory must be sufficiently secured against falling. In all cases, the load must be secured against tipping over and sliding!

Move loads only during safe wind conditions. Observe storm warnings! Depending on the type of load and the surface area subjected to the wind, the decision whether sufficient safety measures are in place when moving the load is taken on the jobsite.

The slings which are attached to the lifting accessories must be equipped with a hook securing device.

The operator may begin to move the load only if he is completely satisfied that the load has been correctly attached.

Ensure loads are evenly balanced when being picked up! Loads must be sufficiently stable both in their form and position so that the load does not move during transportation!

Ensure that the load is in a safe and secure position before releasing the slings! Always lift up or set down loads smoothly without any jerking!

Before moving, remove or secure any loose components!

Persons are not allowed to remain under the load being lifted!

Transporting persons on the load is prohibited!

Ensure that the lifting gear, such as steel wire ropes and chains, is not knotted or twisted! Ensure that the lifting chains of the load-carrying equipment are not wrapped around the load to be transported nor stretched over sharp edges! Twisted chains must be straightened!

Intended use

PERI products have been designed for exclusive use in the industrial and commercial sectors by suitably trained personnel only!

The product described here is classified as lifting accessory which is used as a lifting point for accommodating tensile forces. It is used exclusively for moving individual elements or element units of all formwork systems with the PERI Formwork Girder GT 24.

The Crane Eye 24 is not used in continuous operations and, after being mounted, becomes an integral part of the load.

The Crane Eye 24 may only remain attached to the designated position on the element.

The lifting accessory is not approved for transporting personnel.

These Instructions for Use contain information for ensuring proper handling and correct application, inspection and maintenance.

The product described here corresponds to the relevant provisions and regulations of Machinery Directive 2006/42/EC.

These Instructions for Use provide the basis for the risk assessment. The risk assessment is compiled by the contractor. The Instructions for Use do not replace the risk assessment!

Use of the lifting accessory:

- Within the permissible load-bearing capacity 0.7 t (700 kg).
- Within the permissible temperature limits of -20 °C to +60 °C.
- In good working order.
- When correctly assembled.

Instructions for Use

The use in a way not intended or deviating from the intended use according to the Instructions for Use represents a misapplication with a potential safety risk.

Changes to PERI components are not permitted.

Only PERI original components may be used. The use of other products and spare parts represents a misapplication with associated safety risks.

Do not use damaged lifting accessories.

Target groups

Contractors

These Instructions for Use are intended for contractors who

- assemble, modify and dismantle the PERI products, or
- it e.g. for concreting or
- who have them used, e.g. for forming operations.

Construction site coordinator

The Safety and Health Protection Coordinator*

- is appointed by the client,
- must identify potential hazards during the planning phase,
- determines measures that provide protection against risks,
- creates a safety and health plan,
- coordinates the protective measures for the contractor and site personnel so that they do not endanger each other,
- monitors compliance with the protective measures.

Competent persons

Due to the specialist knowledge gained from professional training, work experience and recent professional activity, the competent person has a reliable understanding of safety-related issues and can correctly carry out inspections. Depending on the complexity of the test to be undertaken, e.g. scope of testing, type of testing or the use of a certain measuring device, a range of specialist knowledge is necessary.



- **In other countries, ensure that the relevant national guidelines and regulations in the respective current version are complied with!**
- **If no country-specific regulations are available, it is recommended to proceed according to German rules and regulations.**

* Valid in Germany: Regulations for Occupational Health and Safety on Construction Sites 30 (RAB 30).

Qualified persons

PERI products may only be assembled, modified or dismantled by personnel who are suitably qualified to do so. For the work to be carried out, the qualified persons must have received instructions** which contain at least the following points:

- An explanation of the plan for the assembly, modification or dismantling of PERI products in an understandable form and language.
- Description of measures in order to safely assemble, modify or dismantle the PERI products.
- Designation of the preventive measures to avoid the risk of persons and objects falling.
- Designation of the safety precautions in the event of changing weather conditions which could adversely affect the safety of the PERI products concerned as well as the personnel.
- Details regarding the permissible loads.
- Description of any other risks that are associated with the assembly, modification or dismantling procedures.

** Instructions are given by the contractor himself or a competent person selected by him.

Storage and transportation

Store and transport the lifting accessory so that it cannot unintentionally change its position or be damaged in any way.

Do not drop the lifting accessory.

During the moving procedure with the crane, ensure that components are picked up and set down so that any unintentional falling over, falling apart, sliding, falling to the ground or rolling is avoided.

Do not place any loads on the lifting accessory.

Use original PERI storage and transport systems, e.g. crate pallets.

Store in a dry, clean and corrosion-protected condition at temperatures from -20 °C to +60 °C.

PERI lifting accessories must be protected against the effects of the weather and aggressive materials if safety is then likely to be affected!

During transport, intermediate storage or when remaining on the load, ensure that it remains free of dirt and that its functionality is not affected.

Additional technical documentation

- Instructions for Assembly and Use:
 - RUNDFLEX
 - VARIO GT 24
- Instructions for Use:
 - Pallets and Stacking Devices

Care and maintenance instructions

The lifting accessory has been designed for long-term use on construction sites.

In order to ensure a cost-effective, technically sound and safe use over a long period, it is important to take a value-preserving approach.

Repairs are to be carried out by authorized PERI personnel only. Only PERI original components may be used.

Identification markings



Caution

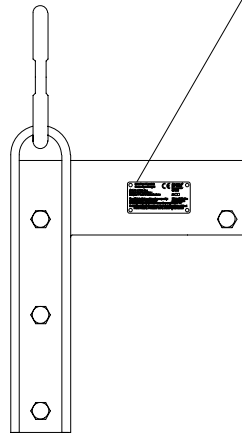
- **Do not use the Crane Eye 24 right | left if the type plate is missing or illegible!**
- **If the type plate is missing or illegible, immediately arrange an inspection by a qualified person and subsequently attach a new type plate. The results of the inspection must be documented!**

Type plate

Markings comply with the requirements of the Machine Directive 2006/42/EC. Crane Eye 24 right. (Fig. 1)



Fig. 1



Inspections

1. General

The procedure described in this section is based on the current German regulations for testing and inspections. The points listed form the minimum requirements for the inspection.

The respective regulations of the individual states and countries where this product is used must be taken into account.

If no country-specific regulations are available, it is recommended to proceed according to German rules and regulations.

The contractor is responsible for determining the type, scope and intervals for the required inspections relating to the provision of the lifting accessory. As a result of these inspections, any safety-related defects are to be systematically identified and remedied.

2. Purpose

Due to the check carried out before the initial operations as well as regularly recurring inspections of the lifting accessory, it can be ensured that operational and functional reliability is guaranteed.

3. Responsibility

The contractor must ensure that the lifting accessory is put into operation only if it has been inspected by a qualified person.

4. Inspection

4.1 Safety check

It has to be verified whether all defects have been rectified or non-functioning products have been replaced. The inspection includes a visual and functional check:

4.2 Visual check

- Deformation, wear and lengthening of the components.
- Damage due to corrosion.
- Mechanical damage.
- Check bolts, lifting beam hooks and chain slings for signs of damage.
- Availability of all components.
- Cracks, bending, flattening, notches on components.
- Only original PERI components may be used.
- Indications of impermissible heating or contact with fire.
- Markings must be legible.

4.3 Functional check

- Free and easy movement of moving parts.
- Locking system works correctly.
- Safety pawls and safety hooks engage.
- Eyes and shackles for fastening purposes are usable.

Implementation of anything beyond the usual scope of inspection is subject to the discretion of the authorized person and can extend to additional checks.

4.4 Measures

If any defects are determined during the safety inspection, they must be eliminated according to the instructions provided by the qualified person. A new inspection is to be subsequently carried out.

4.5 Inspection before starting work operations

- Check whether the load-bearing capacity of the lifting accessory is sufficient for the weight of the load.
- Check the lifting accessory for any defects.

Load-bearing capacity



Warning

Moving of other products is not permitted!

Load factor: 3 (according to DIN 13155).

Perm. load-bearing capacity: 700 kg.

Max. crane sling angle: 15°

The cantilever length of the girder must not exceed $L \leq 75$ cm.
(Fig. 2a + 2b)



If the cantilever length is > 75 cm, a compression brace must be installed.

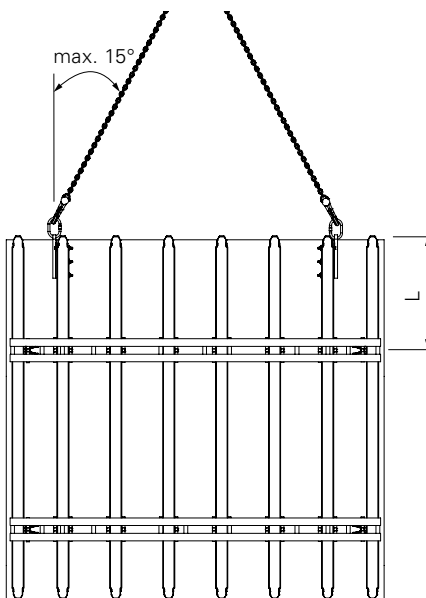


Fig. 2a

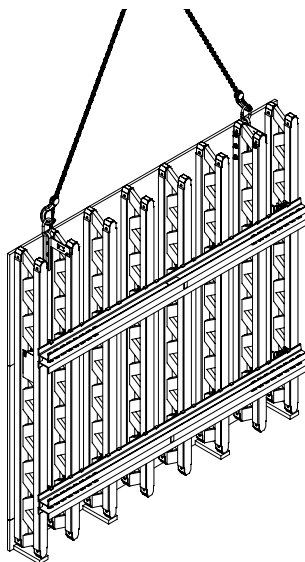


Fig. 2b

Assembly



Danger

Always attach two Crane Eyes 24 symmetrically to the centre of gravity of the load, 1 x Crane Eye 24 right, 1 x Crane Eye 24 left!



Before assembling the element, drill holes in the GT 24 Girders, not in the element.

Preparing the GT 24 Girder

1. Mark where the holes are to be drilled on the chord of the girder. (Fig. 3)
2. Drill into chord, \varnothing 12 mm. (Fig. 4)

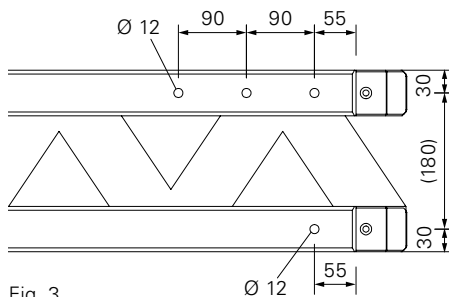


Fig. 3

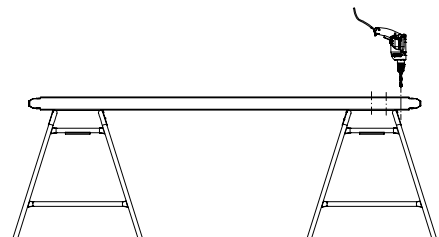


Fig. 4

Assembly



Danger

- Assembly on a vertical element is to be carried out from a safe position, e.g. working scaffold!
- Element can tip over!
- Secure element against tipping over!
- Always attach two Crane Eyes 24 symmetrically to the centre of gravity of the load, 1 x Crane Eye 24 right, 1 x Crane Eye 24 left!

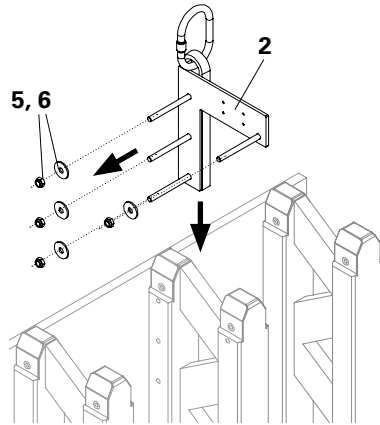


Fig. 5

Procedure

Illustration with Crane Eye 24 left (2).

1. Remove the four Hex. Nuts (5), SW 16, and Washers (6) from the Crane Eye 24.
2. From the outside of the lattice girder, insert Crane Eye 24 in the four drilled holes of the chord. (Fig. 5)
→ Suspension link points upwards.
3. Mount the four Washers on the Bolts (4) of the Crane Eye 24.
4. Tighten the four Hex. Bolts by turning in a clockwise direction and secure with a torque wrench, 50 Nm. (Fig. 6)
5. Repeat action steps one to four on the left side with the Crane Eye 24 right (1). (Fig. 7)

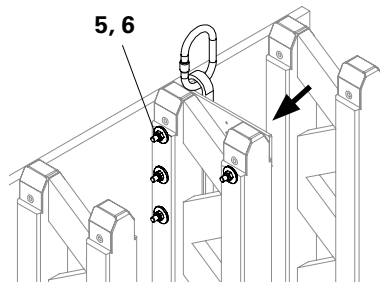


Fig. 6

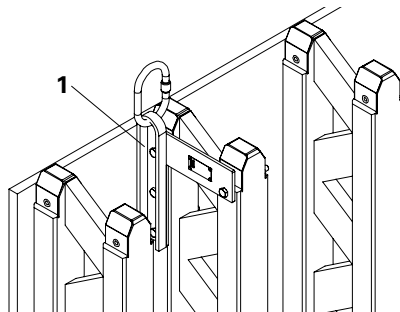


Fig. 7

Crane Eye 24 right | left

Translation of the Original Instructions for Use

Transport of load

Before lifting:



Check the attachment of the Crane Eye 24 on the element. (Fig. 8a + 8b)

During transportation:



Danger

**Never linger under suspended loads!
Always guide loads by means of a rope!**



After concreting:



Warning

Do not release the elements from the concrete with the crane. Uncontrolled movement and overloading!



Setting down:

Never set the load down abruptly. Do not set down Crane Eye 24 on any obstacles.

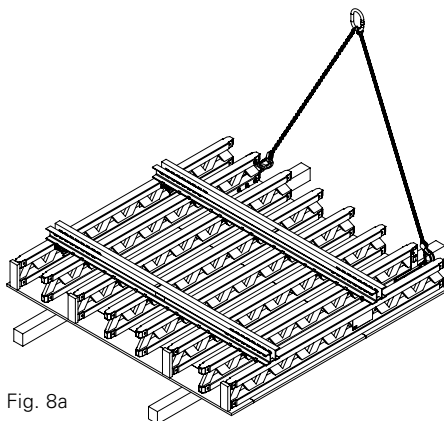


Fig. 8a

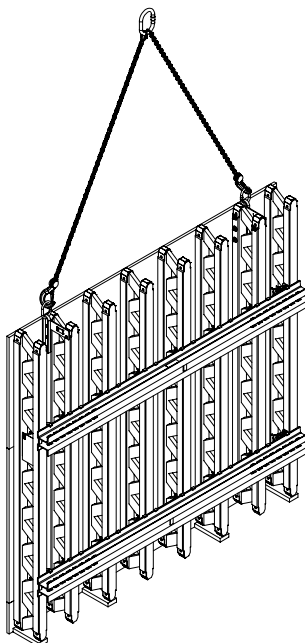


Fig. 8b

Dismantling



Danger

- Dismantling operations on a vertical element is to be carried out from a safe position, e.g. working scaffold!
- Element can tip over!
- Secure element against tipping over!



Procedure

Illustration with Crane Eye 24 left (2).

1. If installed, remove Compression Brace.
2. Release the four Hex. Nuts (5), SW 16, by turning in an anti-clockwise direction, and remove. (Fig. 9)
3. Remove the four Washers (6).
4. Separate the Crane Eye 24 from the lattice girder. (Fig. 10)
5. Fix the four Washers with the Hex. Nuts to the Crane Eye 24.
6. Repeat action steps one to five on the left side with the Crane Eye 24 right (1). (Fig. 11)

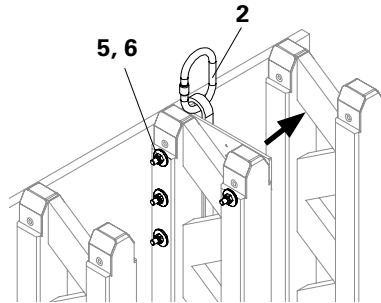


Fig. 9

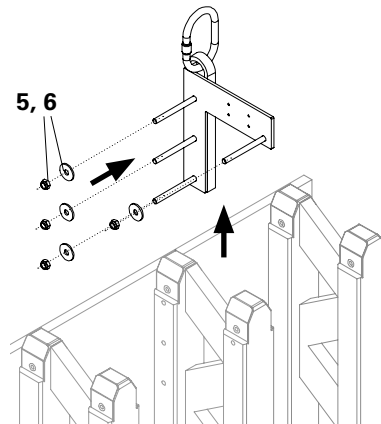


Fig. 10

Horizontal dismantling

Not shown.

1. Position the element on timbers.
2. Release crane lifting gear.
3. Repeat action steps one to six on the left side with the Crane Eye 24 right (1) see above.

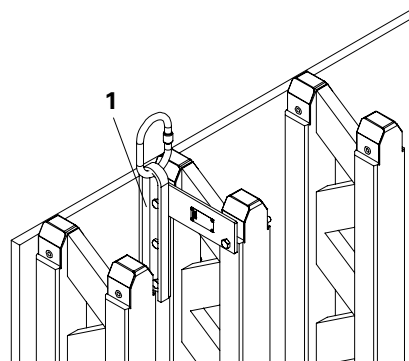


Fig. 11

Disposal

Disposal of the components must be arranged by a qualified person.



Caution

- **Separate materials correctly and according to type.**
- **The materials are to be disposed of according to local regulations and guidelines.**



Item no.	Weight kg
021990	2.780
021980	2.780

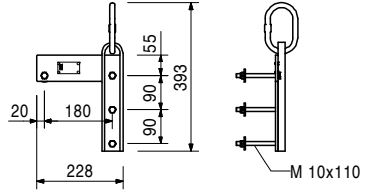
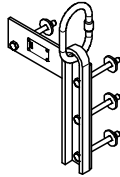
Crane Eyes 24
Crane Eye 24, right
Crane Eye 24, left

For transporting elements with GT 24 girders by crane. Cranes Eyes securely bolted to the girder.

Complete with
 4 x 710138 Bolt ISO 4014
 M10 x 110-8.8, galv.
 4 x 780356 Nut ISO 7042
 M10-8, galv.
 4 x 710139 Washer R11 –
 DIN 440, galv.

Note
 The image features the Crane Eye 24, left. Follow Instructions for Use!

Technical data
 Permissible load-bearing capacity 700 kg with a crane sling angle of $\leq 15^\circ$.



EG – Konformitätserklärung im Sinne der EG-Richtlinie 2006/42/EG Anhang II, 1.A

In der Gemeinschaft ansässige Person, die bevollmächtigt ist, die technischen Unterlagen zusammenzustellen:

Dipl.-Ing. Rainer Bolz
PERI GmbH
Rudolf-Diesel-Straße 19
89259 Weißenhorn

Beschreibung und Identifizierung:

Produktgruppe: Wandschalung
Typ: Lastaufnahmemittel
Artikel-Nr.: 021990 | 021980
Handels-Bez.: Kranöse 24 rechts | links

Es wird ausdrücklich erklärt, dass dieses Produkt allen einschlägigen Bestimmungen der folgenden EG-Richtlinien entspricht:

EG Maschinenrichtlinie 2006/42/EG

Fundstelle der angewandten harmonisierten Normen entsprechend Artikel 7, Absatz 2:

EN 13155 : 2009-08
EN 12100 : 2011-03

Weißenhorn, 03.03.2016

Hersteller

PERI GmbH
Postfach 1264
89259 Weißenhorn



Leitung Forschung und Entwicklung

Dipl.-Ing. Rainer Bolz
PERI GmbH

This document is a translation into
English from the German original.

EC – Declaration of Conformity according to the EC-Machinery Directive 2006/42/EC Annex II, 1.A

Person residing within the Community authorised to compile the relevant technical documentation:

Dipl.-Ing. Rainer Bolz
PERI GmbH
Rudolf-Diesel-Strasse 19
89259 Weissenhorn

Description and identification:

Product Group: Wall Formwork
Typ: Lifting Accessory
Article-No.: 021990 | 021980
Commercial Designation: Crane Eye 24 right | left

It is expressly declared that this product fulfils all relevant provisions of the following EU Directives:

European Directive On Machinery 2006/42/EC

Reference to the harmonised standards used, as referred to in Article 7, Section 2:

EN 13155 : 2009-08
EN 12100 : 2011-03

Weissenhorn, 03.03.2016

Manufacturer
PERI GmbH
PO. Box 1264
89259 Weissenhorn

**The optimal
System for every
Project and every
Requirement**



Wall Formwork



Column Formwork



Slab Formwork



Climbing Systems



Bridge Formwork



Tunnel Formwork



Shoring Systems



Construction Scaffold



Facade Scaffold



Industrial Scaffold



Access



Protection Scaffold



Safety Systems



**System-Independent
Accessories**



Services



**PERI GmbH
Formwork Scaffolding Engineering**

Rudolf-Diesel-Strasse 19
89264 Weissenhorn
Germany
Tel. +49 (0)7309.950-0
Fax +49 (0)7309.951-0
info@peri.com
www.peri.com